



# SPECIFICATION SHEET

Model #:	_____	Qty:	_____
Project #:	_____		
Consultant:	_____		

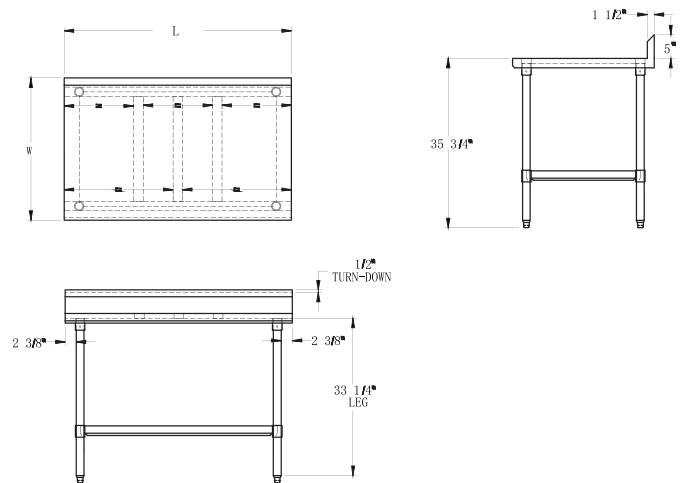
QUALITY FOOD SERVICE EQUIPMENT

## ECONOMY WORK TABLE



## DIMENSIONS

5" backsplash



## MATERIAL

- ◆ 18GA 430 stainless steel top
- ◆ Galvanized lower shelf
- ◆ Galvanized legs
- ◆ Plastic bullet feet

## FEATURES

- ◆ Straight safety turn down on all sides
- ◆ Adjustable lower shelf
- ◆ Adjustable bullet feet (\*has 6 legs)

Model#	Length	Width
TG-2424R5	24"	24"
TG-3024R5	30"	24"
TG-3624R5	36"	24"
TG-4824R5	48"	24"
TG-6024R5	60"	24"
TG-7224R5	72"	24"
TG-8424R5*	84"	24"
TG-9624R5*	96"	24"

Model#	Length	Width
TG-3030R5	30"	30"
TG-3630R5	36"	30"
TG-4830R5	48"	30"
TG-6030R5	60"	30"
TG-7230R5	72"	30"
TG-8430R5*	84"	30"
TG-9630R5*	96"	30"

(609) 642-8389 | sales@nbreqipment.com | www.nbreqipment.com